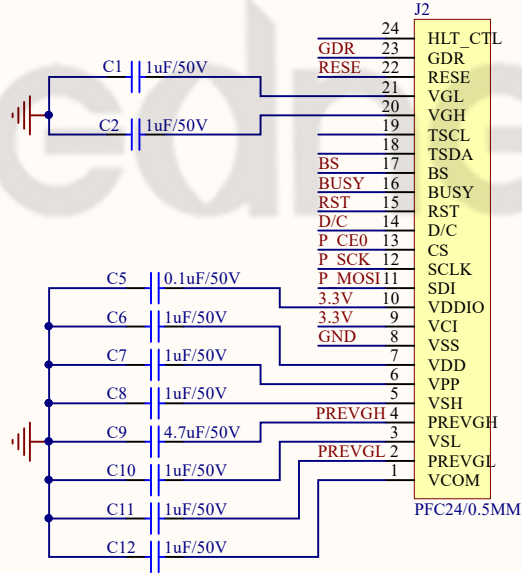
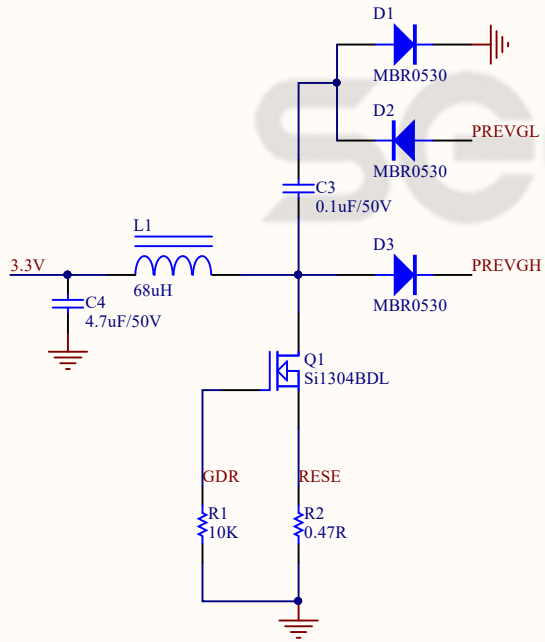


	VCC	GND
BS	3-line SPI	4-line SPI



BCM	wPi	P2	wPi	BCM
		1 3.3V	2 5V	
2	8	3 P_SDA	4 5V	
3	9	5 P_SCL	6 GND	
4	7	7 P4	8 P_TX	15 14
		9 GND	10 P_RX	16 15
17	0	11 RST	12 P18	1 18
27	2	13 P27	14 GND	
22	3	15 P22	16 GND	4 23
		17 3.3V	18 BUSY	5 24
10	12	19 P_MOSI	20 GND	
9	13	21 P_MISO	22 D/C	6 25
11	14	23 P_SCK	24 P_CE0	10 8
		25 GND	26 P_CE1	11 7
		27 ID_SD	28 ID_SC	
5	21	29 P5	30 GND	
6	22	31 P6	32 P12	26 12
13	23	33 P13	34 GND	
19	24	35 P19	36 P16	27 16
26	25	37 P26	38 P20	28 20
		39 GND	40 P21	29 21

2.7inch e-Paper HAT